



City of Pittsburg

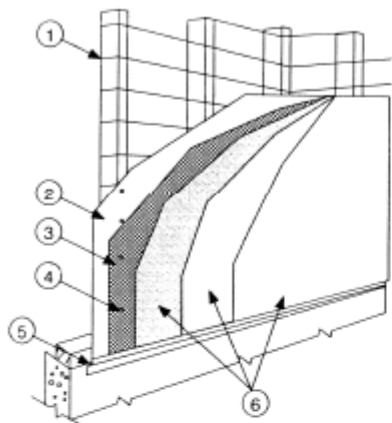
Community Development - Building Division

65 Civic Ave, Pittsburg CA 94565

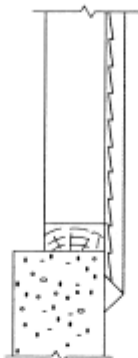
Phone: (925) 252-4910

Fax: (925) 252-4814

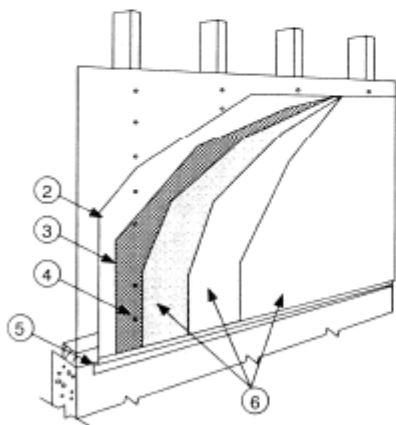
Exterior Stucco/ Lath and Plaster 2016 CBC, Section 2510



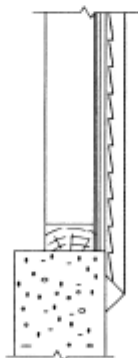
OPEN WOOD-FRAME CONSTRUCTION



- (1) Wire Backing¹
- (2) Building Paper¹
- (3) Wire Fabric Lath¹
- (4) Furring Nails²
- (5) Drip Screed³
- (6) Three Coats of Plaster (Scratch, Brown, Finish)



SHEATHED WOOD-FRAME CONSTRUCTION



¹Paper-backed wire fabric lath may be used omitting separate wire and paper.

²Self-furring lath may be used.

³Should be used with on-grade slab construction.

NOTE: Use control joints whenever possible.

LATH AND PLASTER APPLICATION TO EXTERIOR WOOD STUD WALLS