



# City of Pittsburgh

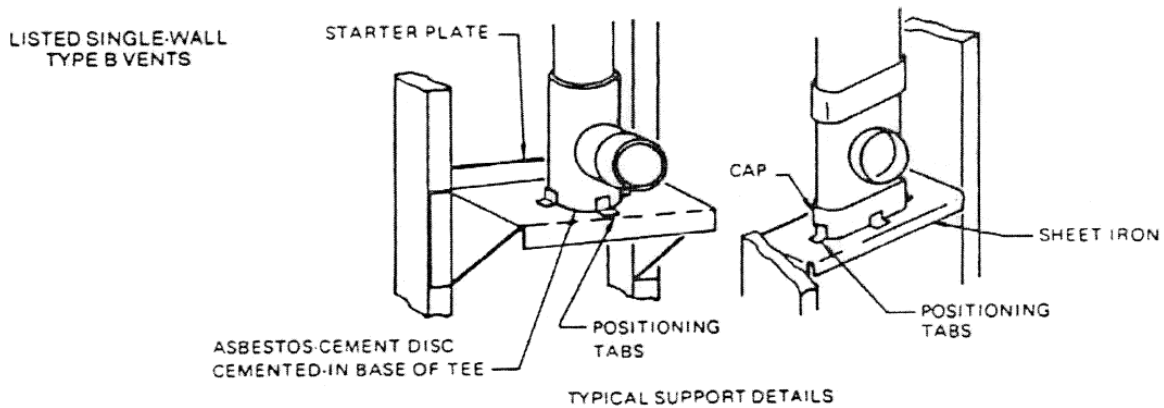
Community Development - Building Division

65 Civic Ave, Pittsburgh CA 94565

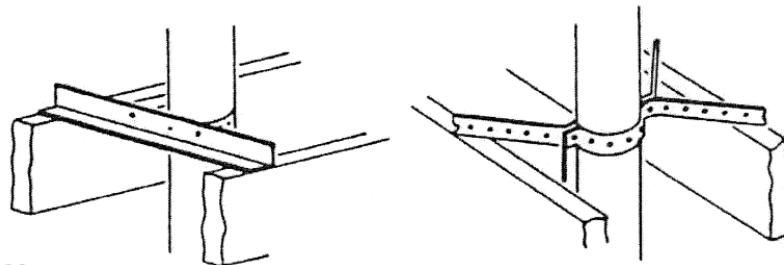
Phone: (925) 252-4910

Fax: (925) 252-4814

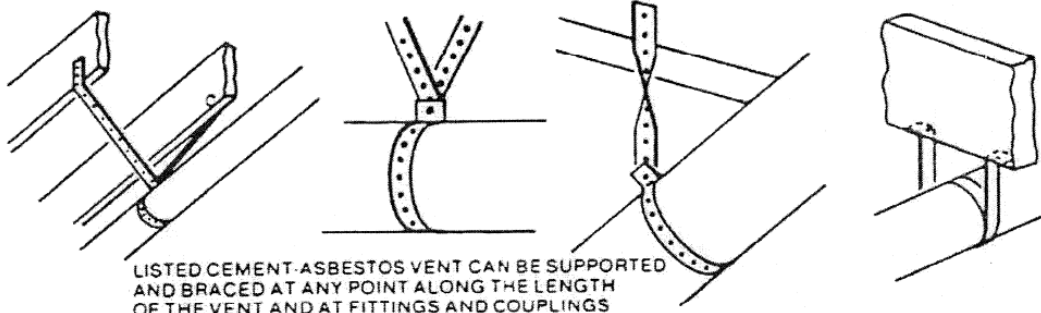
## Support Methods for Single Wall, Type 'B' and 'L' Gas Vents 2016 CMC, Section 802.7 Gas vents shall be supported and spaced in accordance



NOTE: PIPE AND FITTINGS ARE LISTED FOR EITHER 1 1/2" OR 3-INCH (38 mm or 76 mm) CLEARANCE TO COMBUSTIBLE CONSTRUCTION.



ANGLE IRON AND LIGHT STRAPPING OR RISER CLAMPS OF HANGER IRON CAN BE USED IN VARIOUS WAYS FOR SUPPORTING THE VENT.



LISTED CEMENT-ASBESTOS VENT CAN BE SUPPORTED AND BRACED AT ANY POINT ALONG THE LENGTH OF THE VENT AND AT FITTINGS AND COUPLINGS

WHEN BASE OF VENT EXTENDS TO GROUND, IT SHALL BE SUPPORTED ON 2" (51 mm) OF SOLID MASONRY OR CONCRETE.

WHEN SUPPORTING VENT, MINIMUM CLEARANCES MUST BE OBSERVED